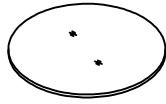


① x1



② x1



③ x3

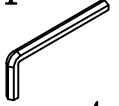


M6x15mm

④ x3

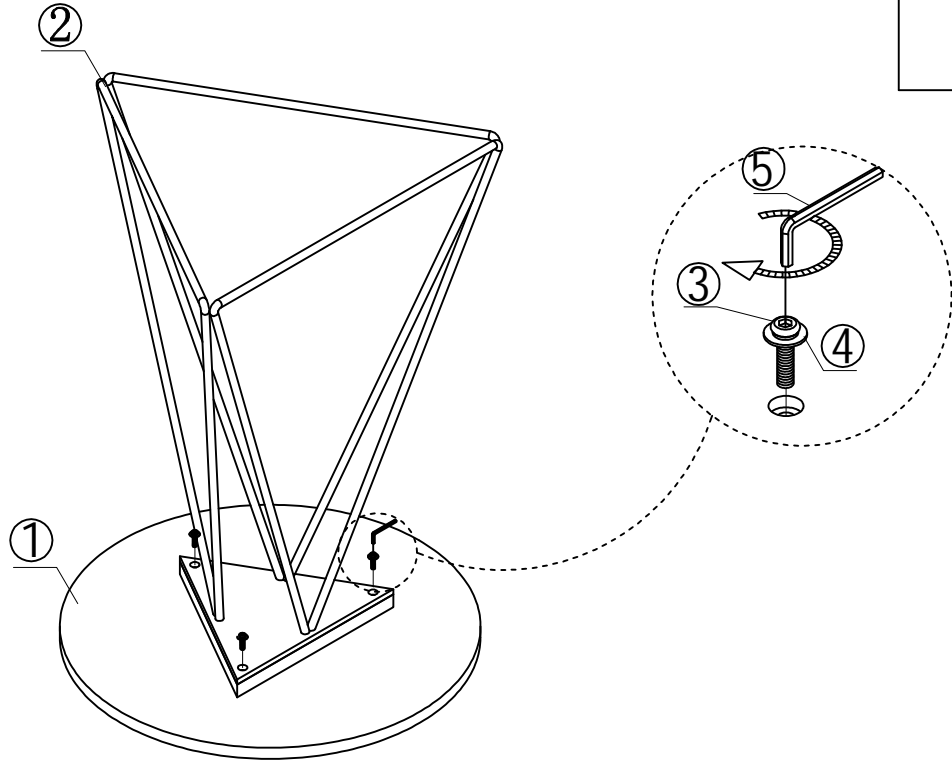
 $\phi 6 \times \phi 17 \text{mm}$

⑤ x1



4mm

1



2

